

## Specifications - pH Sensor for Gold

General Specifications	
Description	pH Sensor for Gold
Part Number	TT-Au-pH-2101
pH Range	0 to 14 pH
Temperature Range	-5 to 105°C
Pressure	6.9 to 345 kPa absolute (1 to 50 psig) with 1" MNPT Kynar Twist Lock
Body Type	RADEL (Poly-Phenyl-Sulfone) with ¾" Front End and 1" MNPT Back End
Junction Material	KYNAR (Poly-Vinylidene-Fluoride)
Dimensions	216mm Length, Maximum Diameter 33.3mm
Cable Length	6m
Temperature Compensation	Pt1000
Preamplifier	Not Fitted
Waterproofing	Immersible, Submersible if threaded on sealed immersion rod with sufficient sealing tape
Connection	Hard Wired Tinned Leads for Sensor & TC
Special Features	Acid/Fluoride, Slurry, Sulphide, and Organic Resistant
pH Sensor Specifications	
Measuring Glass Type	Hemispherical, Green Glass (MUGG)
Glass Dimensions	8.0mm (0.315") Diameter
Initial Impedance	< 800 M Ohms @ 25°C
Sodium Ion Error	< 0.15 pH in Na <sup>+</sup> solutions at pH 14.00
Acidic Errors	< 0.05 pH in HCl solutions at 0.00 pH
Reference System Specifications	
Type	Triple Junction
Reference Half Cell	Ag/AgCl, Saturated KCl
Primary & Secondary Junction	Porous Ceramic, Saturated KCl in Cross-linked polymer, interfaced to Tertiary Junction
Tertiary Junction	Solid-State Non-Porous Cross-Linked Polymer embedded in high capacity Kynar Support Matrix. Holds excess KCl assuring saturation at all temperatures for stability & long sensor service life in application where little or no maintenance will be performed.
Application Specifications	
Recommended Applications	Specifically designed for the Gold industry. Industrial, chemical, food & beverage, semiconductor, pharmaceutical & wastewater. Any measurement where aggressive chemical cleaning is needed to remove fouling or low-maintenance operation is required with minimal cleaning and re-calibration.
Analyser / Interface	All Turtle Tough pH Analysers
Storage	Item should be kept at room temperature with closed protector cap, filled with storage solution in an upright position. Shelf life warranted for 12 months from the date of purchase.
Warranty	12 Month Conditional Warranty Please see <a href="http://www.turtletoough.com.au/support/warranty-returns">www.turtletoough.com.au/support/warranty-returns</a>

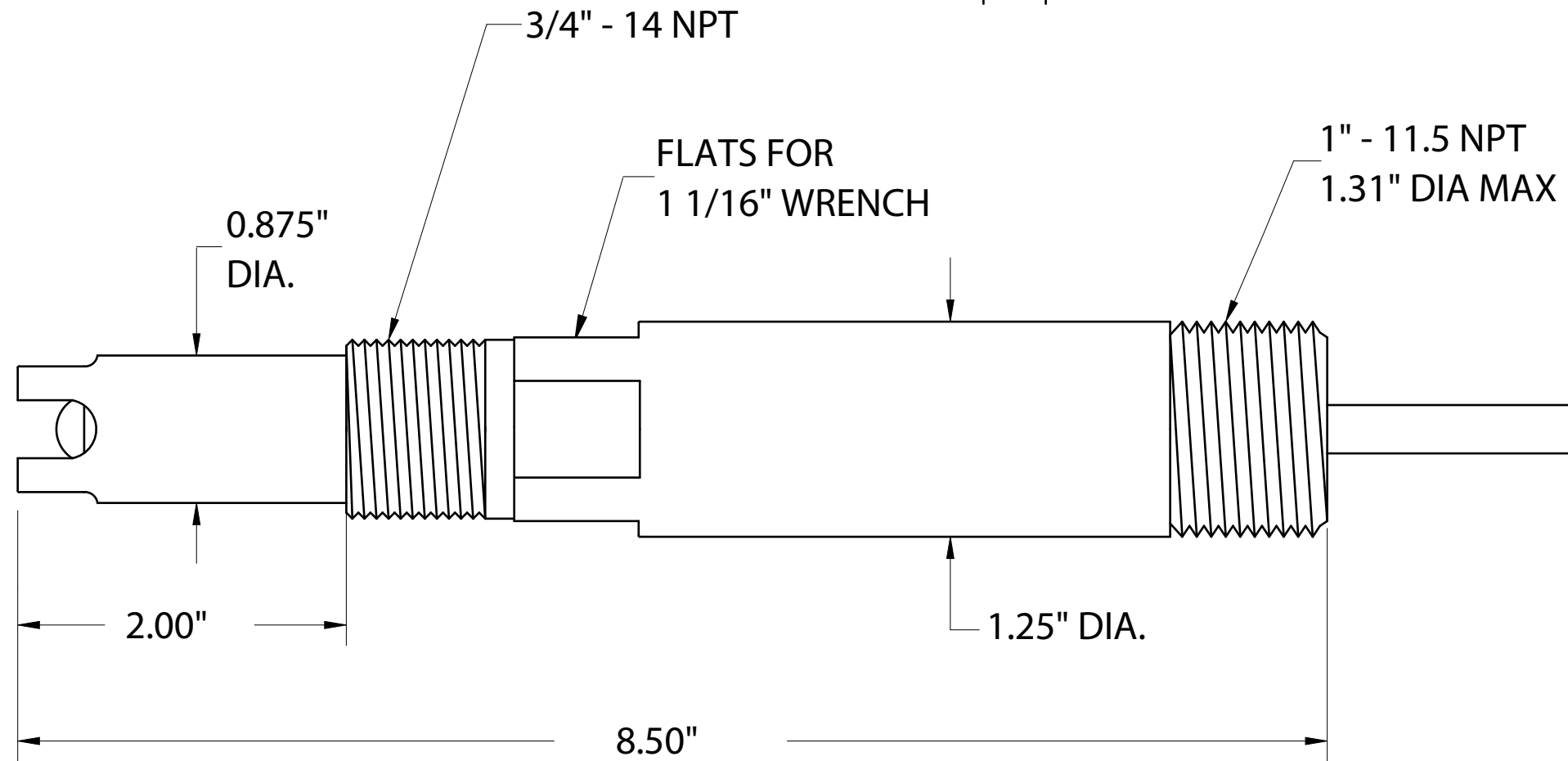
1

2

3

REVISION HISTORY

REV	DESCRIPTION	DATE	APPROVED



NOTES


- 1. All dimensions are in inches, unless otherwise indicated with tolerances as detailed below.
- 2. Sensor body material of construction is RADEL, PEEK or RYTON.
- 3. Drawing shown in the standard with protective tines configuration (4 places, 90 degrees apart).  
The 2 protective tines only configuration (2 places, 180 degrees apart) is optional.
- 4. In the alternate without tines configuration, the sensor body is exactly 8.0 inches in length.  
The max displacement for hemispherical pH glass is 0.3" yielding a max insertion depth of 1.8 inches past threads & overall max length of 8.3 inches.
- 5. Do not use any sensor beyond the factory defined maximum temperature or pressure rating.

TOLERANCES	
1 Place: ± .1	3 Places: ± .005
2 Places: ± .01	4 Places: ± .0005
Angular: ± 0.25°	

DRAWN BY  
RH

CHECKED BY  
TADP

APPROVED BY  
MJP

		<b>TURTLE TOUGH</b>		Turtle Tough Sensors www.turtletough.com.au	
TITLE <b>3/4"-1" MNPT Inline / Immersion / Submersible</b>					
SIZE <b>B</b>	PROJECT <b>IMMERSION</b>	DRAWING NO. <b>6-1 pH SENSORS</b>		REV <b>/</b>	
SCALE Not to Scale	MODEL 6X31,6X41,6X51,6X52	SHEET 1	OF 1		

1

2

3